

Instructions

for use of Technoform
Long Goods Pallets Typ III / P-21

Insulating profiles
for windows, doors,
and facades.

Instructions

for use of Technoform Long Goods Pallets Typ III / P-21

Scope: All companies of the Technoform Group



Improper operation or use for which it is not intended can prove hazardous or lethal for the user and others, as well as damaging to the stillages or other objects. The manufacturer is not liable for damages resulting from such misuse. The operator alone assumes all responsibility.

Each enterprise is to make operating instructions for their own employees. These operating instructions must be displayed clearly.

For this reason, each person who is involved with use of the "Technoform Long Goods Stillages" is obliged read and understand these instructions.

Safety regulations for the „Technoform Long Goods Stillages Type III / P-21

A General

Unladen weight of stillage

The weight of one Technoform long goods stillage type III is 140 kg.

Permissible load capacity

The maximum permissible load capacity for a Technoform long goods stillage type III is 1.500 kg (1,5 to net weight).

Permissible stack load

The permissible stack load means the weight of all stillages above the base stillage.

The allowable load capacity of a Technoform long goods stillage type III is 6.000 kg (6,0 tonne net weight).

Permissible stack height

The maximum permissible stack height of a Technoform long goods stillage type III is 5.

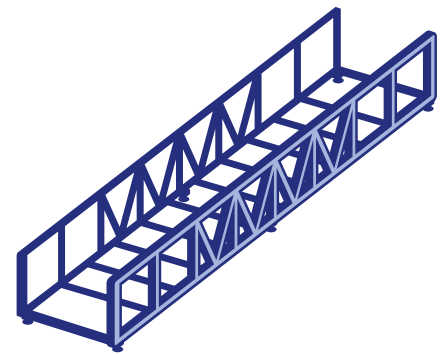
Stackability

The Technoform long goods stillages type III are designed so that they intermesh on stacking.

Identification

The Technoform long goods stillages type III are labelled so that you can see:

Technoform – number or type / unladen weight / permissible load / maximum stack height / year of manufacture



Safety regulations for the „Technoform Long Goods Stillages Type III / P-21

B Handling

Uneven loading

Uneven loading of the Technoform long goods stillage type III in length and width is possible, as long the maximum loading of 1,5 tons is not exceeded.

An excess length of 50cm on each side is possible, as long the maximum load is not exceeded.

Lifting by crane

For lifting of the Technoform long goods stillage type III separate lifting accessories are used in combination with the stirrups on the top booms.

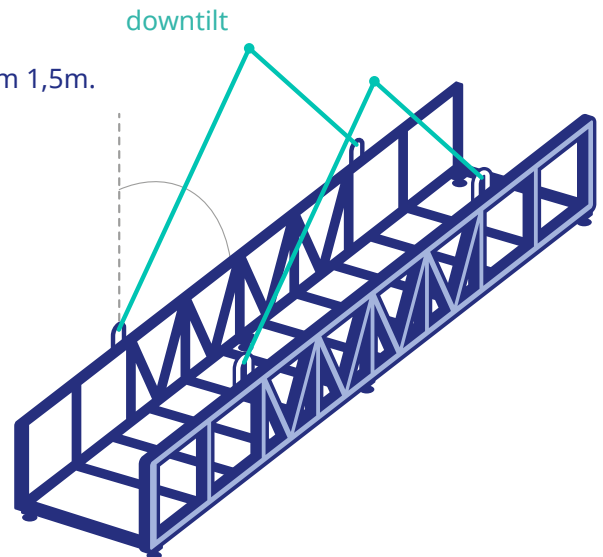
Caution, a downtilt larger than 45° is not permissible!

A downtilt to 45° is equivalent to a clearance height of minimum 1,5m.

(Notice: downtilt 0° means: righted used lifting accessories)

Note: the lifting capacity of individual systems is to be strictly observed.

Technoform long goods stillage type III



Forklift handling

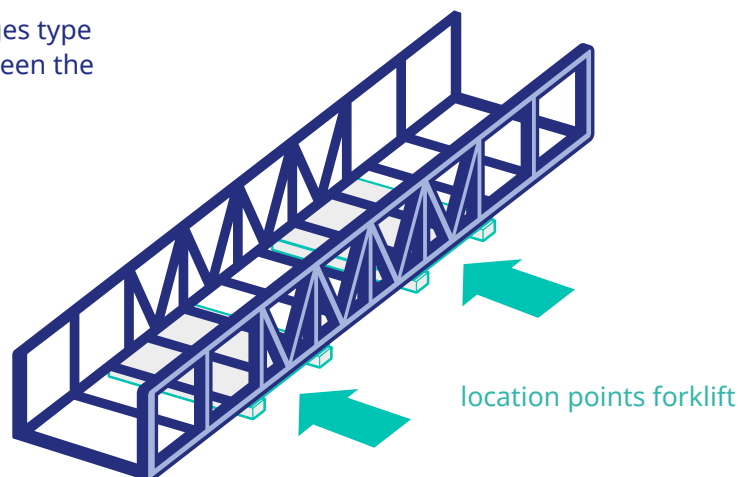
1. Forklift lifts one Technoform long goods stillage type III

It is permissible to lift the Technoform long goods stillage type III with the allowable and maximum load capacity of 1,5 tonnes net weight.

Attention: the lifting capacity of the forklift is to be observed strictly.

The Technoform long goods stillages type III must be lifted up correctly between the marked blocks.

long goods stillages type III



Safety regulations for Regular Use (Hazards and Precautions)



- Stillages should always be set down gently.
- Always load the long goods stillages in such a way that the contents do not slide out
- Always store the long goods stillages so, that they can't block access routes. When stacking, ensure sufficient access width.
- Always watch for potential hazards while handling long goods stillages
- Never lift the long goods stillages over people.
- Always store the long goods stillages so that the stacks are vertical and intermeshed.
- Never set down the long goods stillages on a inclined surface.
- Always observe strictly the maximum permissible load-bearing capacity of the storage area.
- Never lift the long goods stillages with faulty forklifts, cranes, or lifting accessories.
- Always stack the long goods stillages: high weight lower, light weight higher.
- Always observe strictly the centre of gravity when lifting the long goods stillages.
- Never use defective long goods stillages, which are a potential hazard. These long goods stillages must be decommissioned and properly repaired immediately.



- Always mark the defective area clearly and inform Technoform of the fault.
- Always inspect the long good stillages for safety before use.